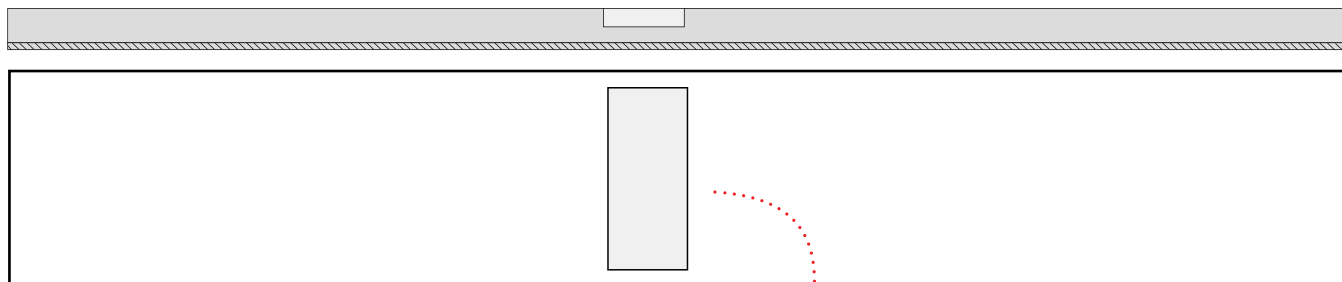


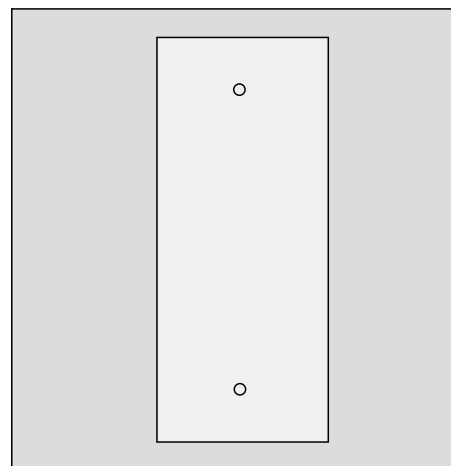
RWSCP installing procedure



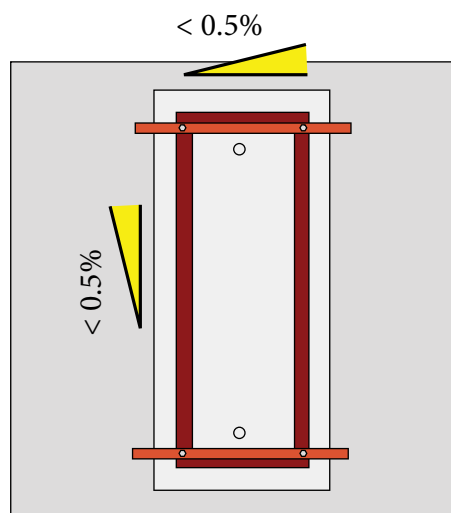
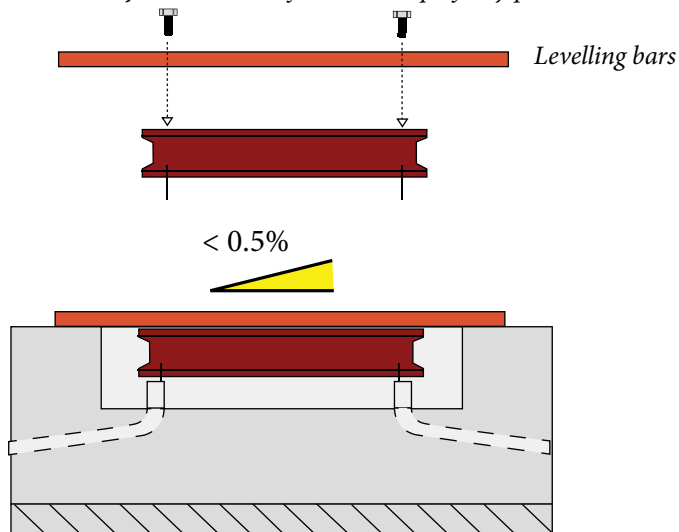
a) RWS empty pit, 360 x 153 x h 40 min.



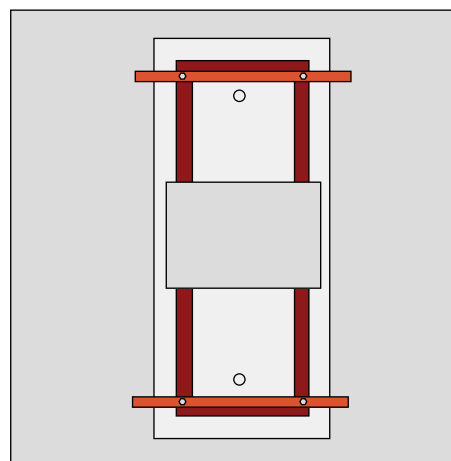
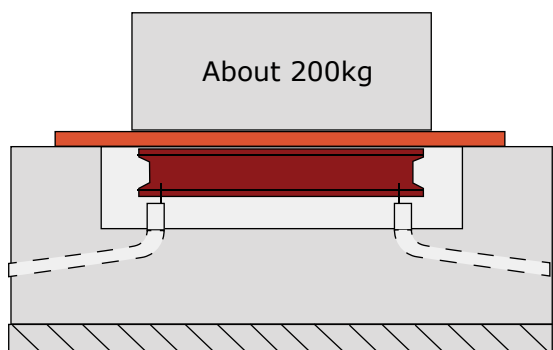
Referring to drawing 1431F7



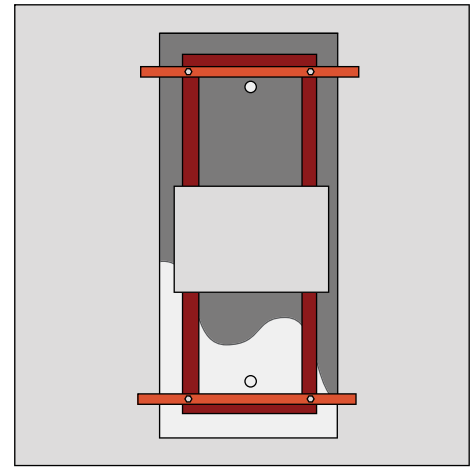
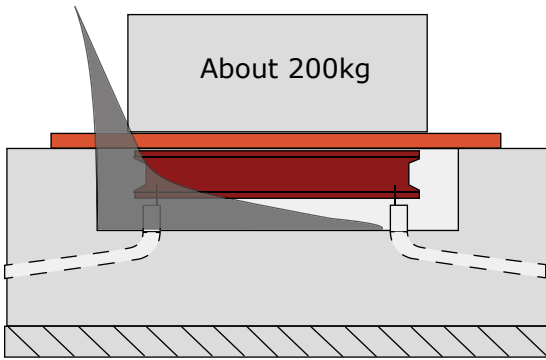
b) Fix the levelling bars and put the frame into the pit.
!! Pay attention: surface as to be perfectly plan !!



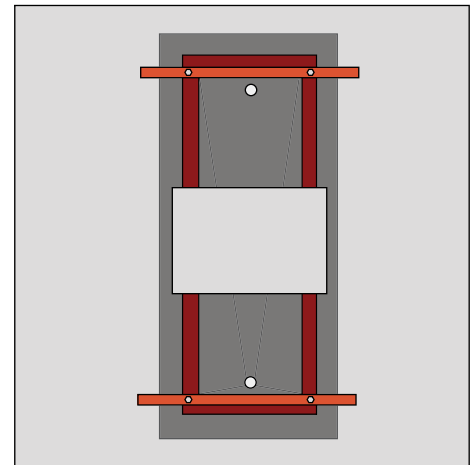
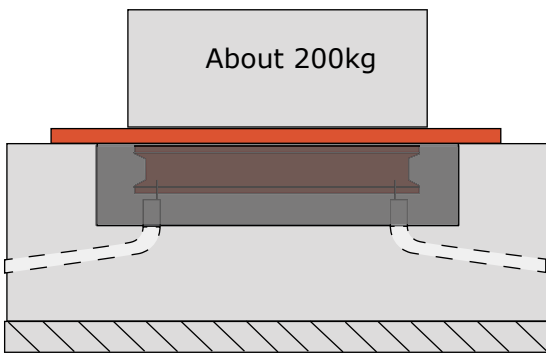
c) Weight to keep on the pit frame until the concrete will be ready.
 It avoids the frame movements during the installation.



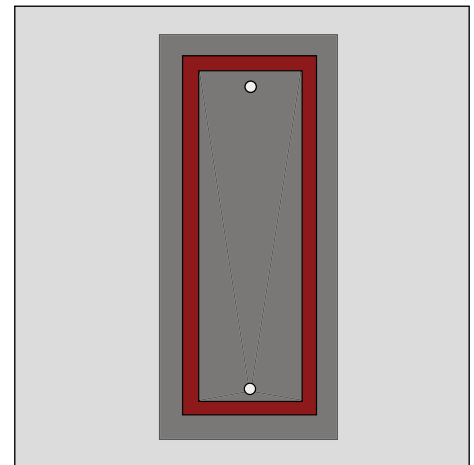
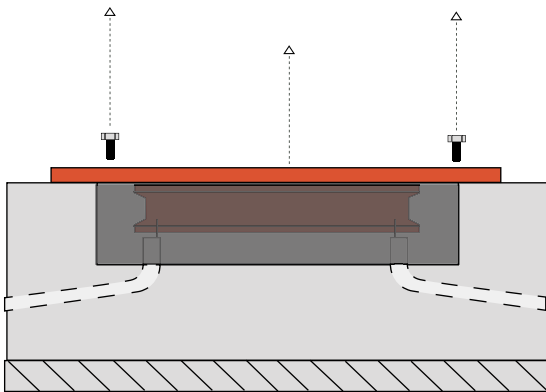
d) Lay the concrete into the pit



e) Wait until concrete is ready



f) Remove the levelling bars



g) Install the RWS scale into the frame and close the manholes

